

# Air Cannons and Hammers



*CC50 Gripper mounted*



*CC2000 Crane hook mounted*



*CC112 Crane hook mounted*



*CC1000 Manipulator mounted*

The Clansman range of Cannons are used to blast risers and gating from castings. They can be mounted on a crane hook, operated by a man or computer system - or for maximum flexibility mounted on a Clansman Manipulator.

Clansman Dynamics apply the same demanding design criteria to our range of impact hammers as to our Manipulators. A single piece forged impact head is the logical way to avoid problems with either welds or bolts becoming loose.

**Each Clansman Cannon is supplied with:**

- Complete with hook attachment point
- Shock absorber mounted operator handles
- Pneumatic valve and trigger
- Connector for 6 BAR (90 psi) air

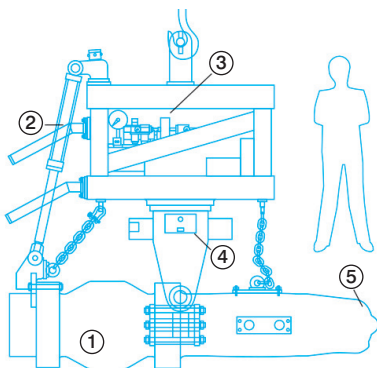
**The reliability is in the design detail:**

- Single piece, forged alloy impact head/travel stop
- Shock absorbers designed to absorb full hammer energy
- Sliding, graphite wear strips on all moving parts
- Honed impact head return tube
- Designed to operate at 10 BAR

## AIR CANNONS AND HAMMERS DATA

	CC25	CC40	CC50	CC112	CC600	CC1000	CC2000
<b>Energy @ 6 Bars (Joules)</b>	390	800	1,300	2,400	6,000	10,000	28,000
<b>Quantity of 10 lbs Hammers Equivalent</b>	2	4	6	12	30	50	140
<b>Weight (kg)</b>	75	165	190	450	1100	1500	5800
<b>Impact Setting</b>	1	1	2	2	3	3	5

### Cannon CC2000



1. Air tank.
2. Tilt cylinder for optimum alignment to feeder.
3. Air powered hydraulic unit (CC2000).
4. Selector switch for air pressure level.
5. Shaped nose locates on feeder.



Clansman Dynamics Limited  
 Stephenson Building, Nasmyth Avenue  
 Scottish Enterprise Technology Park, East Kilbride,  
 Lanarkshire G75 0QR, Scotland, U.K.

T: +44 1355 579900 F: +44 1355 579901  
 E: sales@clansmandynamics.com