

G45 GRINDER

The modern replacement for the traditional swing frame grinder



Robust proven compact design



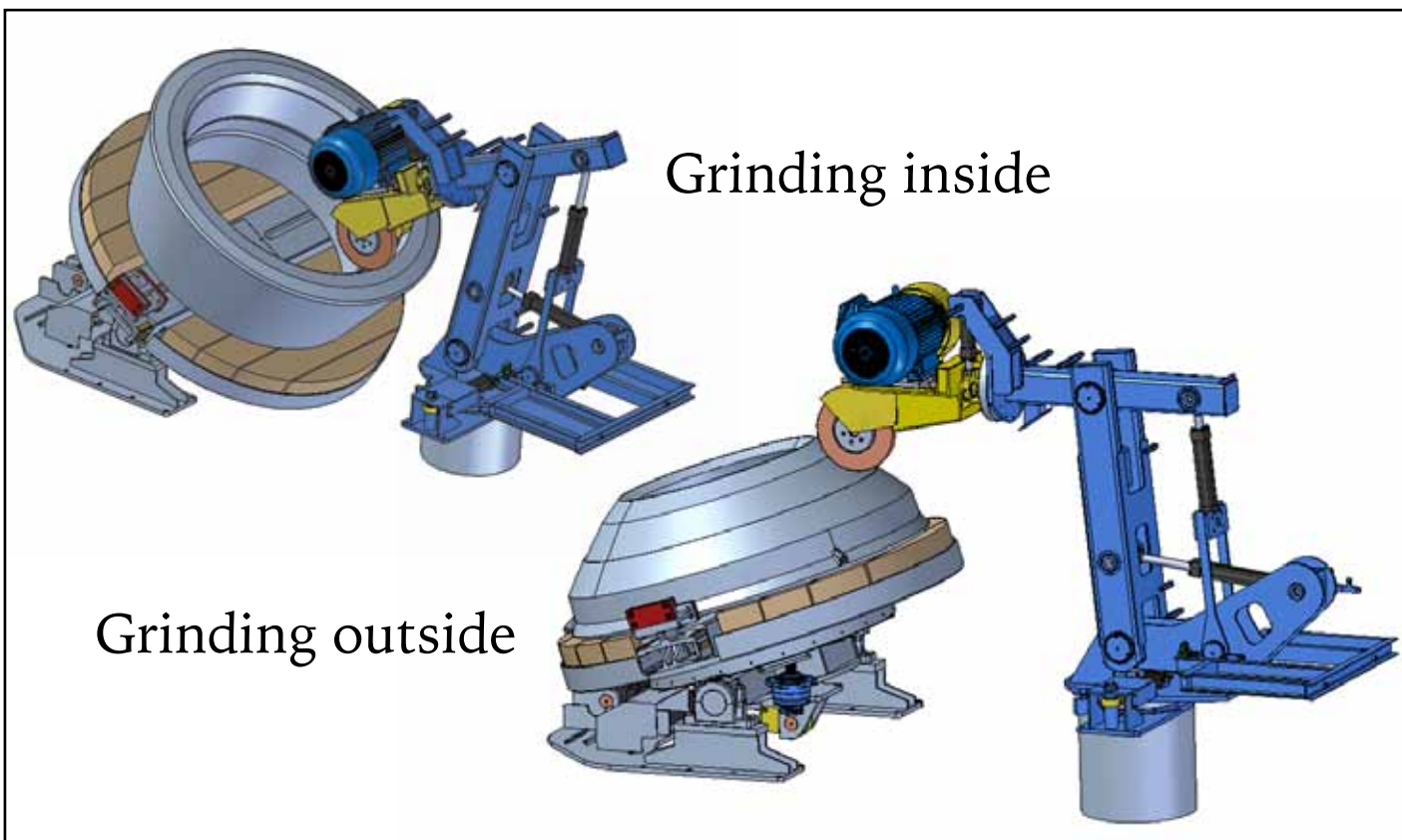
Easily maintained motor and belt drive



Precise power application with force feedback

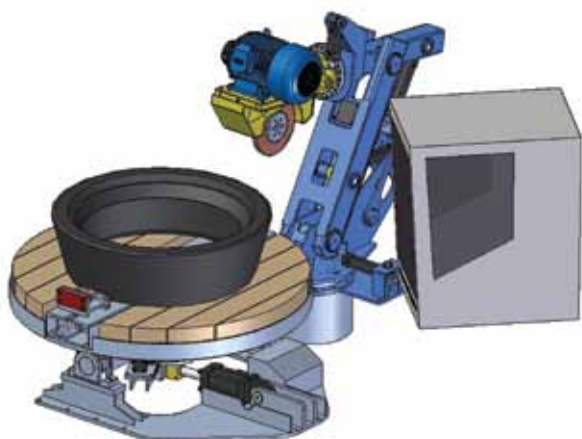
G45 GRINDER

The modern replacement for the traditional swing frame grinder



A brand new mechanical structure with double roller spherical bearings. Operating with well established Mastaer Arm control system and hydraulics. Massively robust grinding spindle with 4 rows of large diameter angular contact ball bearings protected by fine tolerance labyrinths.

| G45 GRINDER | |
|----------------|------------------------|
| Grinding Power | 45Kw |
| Disk size | 600mm |
| Drive | Electric via "V" belts |
| Hyd Power | 7 Kw |
| Turntable rpm | 0 - 2 rpm |
| Tilt angle | ± 20 degrees |



**CLANSMAN
DYNAMICS** 

Clansman Dynamics Limited
Stephenson Building, Nasmyth Avenue
Scottish Enterprise Technology Park, East Kilbride,
Lanarkshire G75 0QR, Scotland, U.K.
T: +44 1355 579900 F: +44 1355 579901
E: sales@clansmandynamics.com

www.clansmandynamics.com